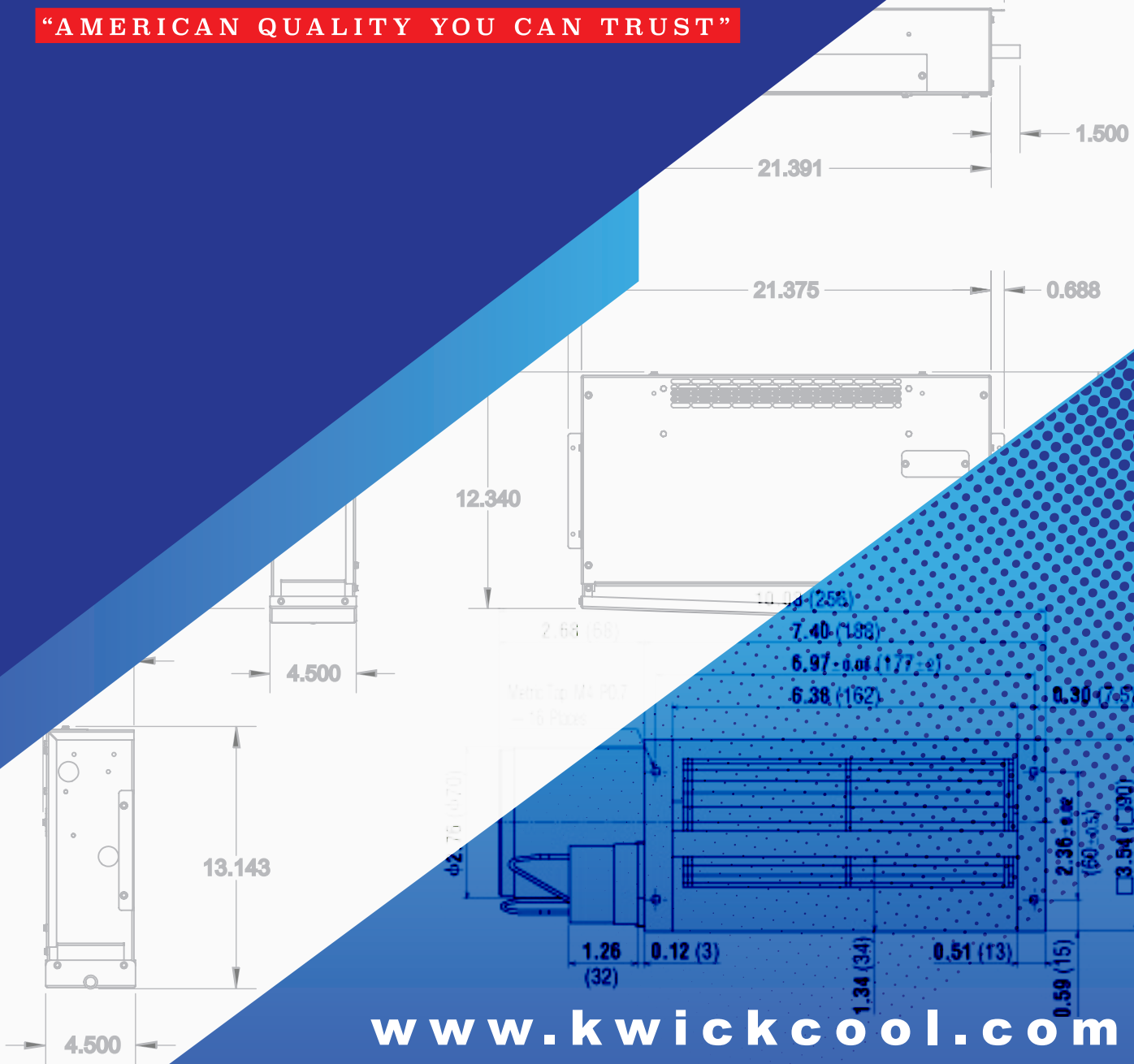


**2022**

# COIL BROCHURE

**“AMERICAN QUALITY YOU CAN TRUST”**



Here at KWICK COOL Inc., we are proud to introduce "The new innovative coil that is changing it all." It features an outer stainless steel design, maximum high-efficiency blowers, and an innovative digital temperature control.

The coils are designed to be easy to install, isolate and replace, resulting in less cost and downtime for the customer. In addition, the coils can be mounted as a ceiling mounted coil, mullion coil, up blast coil or front discharge coil, allowing the coil to fit any design according to its limitations.

Professionals in the restaurant business demand excellence from us, so our commitment is to continue to deliver quality you can trust - time and time again.

**1**

**YEAR LIMITED WARRANTY**  
PARTS & SERVICE

### **1 YEAR PARTS WARRANTY**

Kwick Cool Inc. warrants to the original purchasers that the equipment manufactured by it is free of defects in material and workmanship under normal use and service for 12 months following the original shipment from the factory. This warranty includes only parts.

**2**

**YEAR LIMITED WARRANTY**  
DIGITAL THERMOSTAT

### **2 YEAR WARRANTY**

Kwick Cool Inc. warrants to original purchasers all equipment manufactured by them. Kwick Cool will replace within 24 months from the date of original shipment the cost of shipping and replacement of the Carel Digital controller if it has determined that it is defective. The warranty does not cover labor costs associated with initial installation, start-up, correction of improper installations, misapplications, travel time to and from repair sites, and refrigerant recovery. All products sold by Kwick Cool must be paid for in full before receiving a warranty.

**5**

**YEAR LIMITED WARRANTY**  
CORECOATING

### **5 YEAR EVAPORATOR CORE EVAP WARRANTY**

Kwick Cool Inc. warrants to the original purchasers, it will repair or exchange at our option, at any time during the five years following the date of original shipment from the factory a Evaporator core assembly or any part there of is returned prepaid to the nearest authorized dealer and is approved to our satisfaction to be in operative due to defects in material or factory workmanship. This warranty does not apply to any electrical controls, fan motors, temperature control or wiring harnesses nor does the warranty cover service labor or the misuse in the cleaning, installing and negligence of said Evaporator core. No claims can be made against this warranty for spoilage of product. Any replacement of the Evaporator core must receive prior approval from Kwick Cool. Products sold by Kwick Cool must be paid for in full before any warranty can take effect.

## THE INNOVATIVE COIL

T H A T I S C H A N G I N G I T A L L !

### Our Cross Flow Fans

sets us apart from  
our competitors.

The most advanced blower  
in the industry.

- High efficiency ECM blower
- With Epoxy Coated Housing
- Stainless Steel Blower Wheel
- Stainless Steel Ball Bearings
- Hermetic Sealed Motor
- 5 Year Entire Motor Warranty



**KC-11**



**KC-13**



**KC-17**



PLEASE NOTE: All warranty claims MUST be issued to KWICK COOL, with appropriate documentation (Model Number & Serial Number)

## KC-17

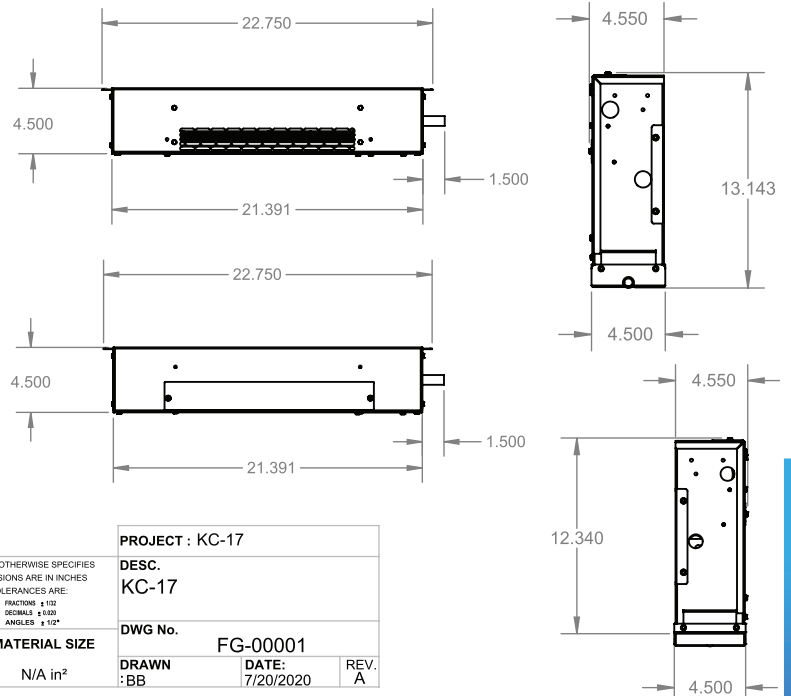
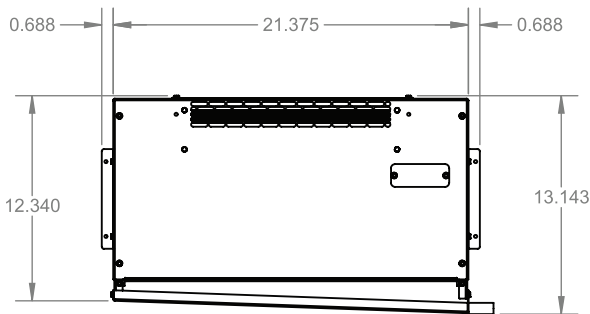


### STANDARD FEATURES

- Core & U-Bends are coated with an epoxy resin to counter corrosion.
- Versatile drain lines left to right & bottom.
- Medium and low temp applications.
- Digital thermostat is made to optimize accuracy and convenience.
- EC motors-splash proof with 60,000 hours of run time.
- 100V or 239V operation.
- Electronic Defrost.
- Discrete vertical or horizontal mount design.
- Inside terminal block for electrical connections.
- Equipped with a safety divider to prevent outside materials from entering.
- Fully tested & injected with Nitrogen to ensure the equality of the product.
- Each product is carefully tested at many stages of production and comes with an extended warranty on the core coating and thermostat.
- Made in the U.S.A.

MODEL	BTU	FIX	SUC	INTE	SUCTION	DRAIN	R-404A	R-22	R-134	R-404ZP	FAN	DEF	VOLT/PH	COIL WT	AMPS
KC-17	1700	35	25	1/4 O.D	3/8 O.D	1/2 O.D	FBS-1/4-C	FBV-1/4-C	FBJ-1/4-C	FBS-1/4-C	3	2.5	100-230/1	22	0.78

### ASSEMBLY



### WARRANTY

- 1 YEAR LIMITED WARRANTY**  
PARTS & SERVICE
- 2 YEAR LIMITED WARRANTY**  
DIGITAL THERMOSTAT
- 5 YEAR LIMITED WARRANTY**  
CORE COATING

**KWICK COOL**  
5027 IRWINDALE AVE #400  
IRWINDALE, CA 91706

UNLESS OTHERWISE SPECIFIED  
DIMENSIONS ARE IN INCHES  
TOLERANCES ARE:  
FRACTIONS ± 1/32  
DECIMALS ± 0.030  
ANGLES ± 1/2°  
MATERIAL SIZE  
N/A in<sup>2</sup>

PROJECT : KC-17	DESC. KC-17
DWG No. FG-00001	DATE: 7/20/2020
DRAWN :BB	REV. A

## NOMENCLATURE



**MODEL TYPE**  
KC-11, KC-13,  
KC-17



**PIPING**  
Right (R) Back (B)  
Left (L)



**PREP**  
Master (M) Slave (S)  
Full-Prep (F)



**DISCHARGE**  
Top (T), Front (F)



**DRAIN**  
Side (S) Down (D)  
Ceiling (C)



**FREON**  
R-404 (1), R-407A (2)  
R-448A (3), R-22 (4)  
R-134A (5), R-404ZP (6)

## WARRANTIES

Each Kwick Cool unit comes with a five year warranty on the core coating a three year warranty on the digital thermostat, and a one year warranty on the valves. Please refer to the warranty details available in our Web site- [www.kwickcool.com](http://www.kwickcool.com)

## MAINTENANCE

Regularly check that the unit is free of grease and other debris. Clean when needed. It is advisable to contact a service technician to perform preventive maintenance on your unit.

## MOUNTING

The standard flow mullion unit draws air in at the bottom and discharges out the top. The unit can be mounted in a mullion against a rear or side wall.

During installation on the mullion of refrigerators under the counter, mounting holes are located on both ends of the unit for attaching to "customer furnished" mounting screws 5/6" x 1 inch long zip drill screws with washers.

Knockouts are provided for bringing the refrigerant piping through either end of the cabinet. An electrical knockout is provided in an internal junction box

**WARNING: A MINIMUM OF 2 INCHES MUST BE PROVIDED BETWEEN THE TOP OF COIL, UNIT AND THE TOP OF THE CABINET.**

## KC-13

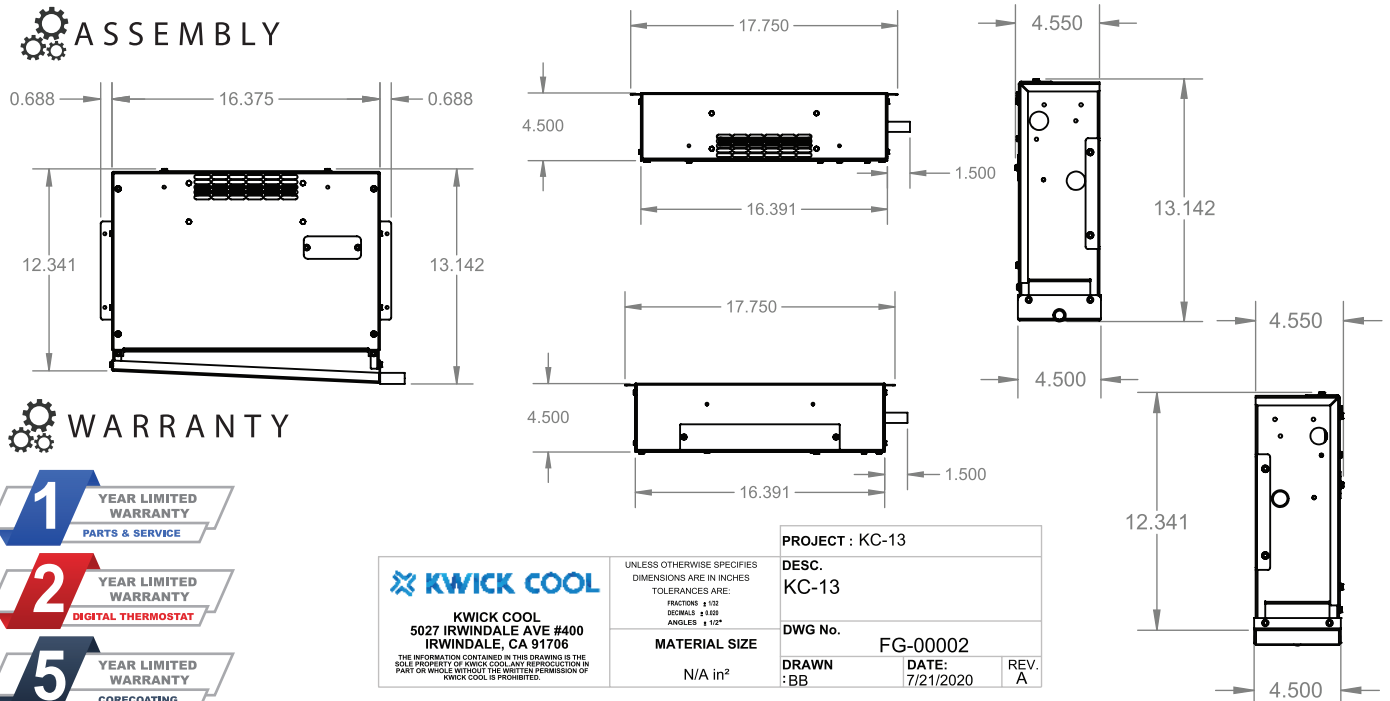


### STANDARD FEATURES

- Core & U-Bends are coated with an epoxy resin to counter corrosion.
- Versatile drain lines left to right & bottom.
- Medium and low temp applications.
- Digital thermostat is made to optimize accuracy and convenience.
- EC motors-splash proof with 60,000 hours of run time.
- 100V or 239V operation.
- Electronic Defrost.
- Discrete vertical or horizontal mount design.
- Inside terminal block for electrical connections.
- Equipped with a safety divider to prevent outside materials from entering.
- Fully tested & injected with Nitrogen to ensure the equality of the product.
- Each product is carefully tested at many stages of production and comes with an extended warranty on the core coating and thermostat.
- Made in the U.S.A.

MODEL	BTU	FIX	SUC	INTE	SUCTION	DRAIN	R-404A	R-22	R-134	R-404ZP	FAN	DEF	VOLT/PH	COIL WT	AMPS	CFM
KC-13	1300	35	25	1/4 O.D	3/8 O.D	1/2 O.D	FBS-1/4-C	FBV-1/4-C	FBJ-1/4-C	FBS-1/4-C	3	2.5	100-230/1	22	0.78	280

### ASSEMBLY



### WARRANTY

- 1** YEAR LIMITED WARRANTY PARTS & SERVICE
- 2** YEAR LIMITED WARRANTY DIGITAL THERMOSTAT
- 5** YEAR LIMITED WARRANTY CORECOATING



KWICK COOL  
5027 IRWINDALE AVE #400  
IRWINDALE, CA 91706

THE INFORMATION CONTAINED IN THIS DRAWING IS THE SOLE PROPERTY OF KWICK COOL. ANY REPRODUCTION IN PART OR WHOLE WITHOUT THE WRITTEN PERMISSION OF KWICK COOL IS PROHIBITED.

UNLESS OTHERWISE SPECIFIED DIMENSIONS ARE IN INCHES TOLERANCES ARE:

FRACTIONS ± .012  
DECIMALS ± .005  
ANGLES ± .12°

**MATERIAL SIZE**

N/A in<sup>2</sup>

PROJECT : KC-13

DESC.  
KC-13

DWG No. FG-00002

DRAWN :BB DATE: 7/21/2020

REV. A

## KC-11

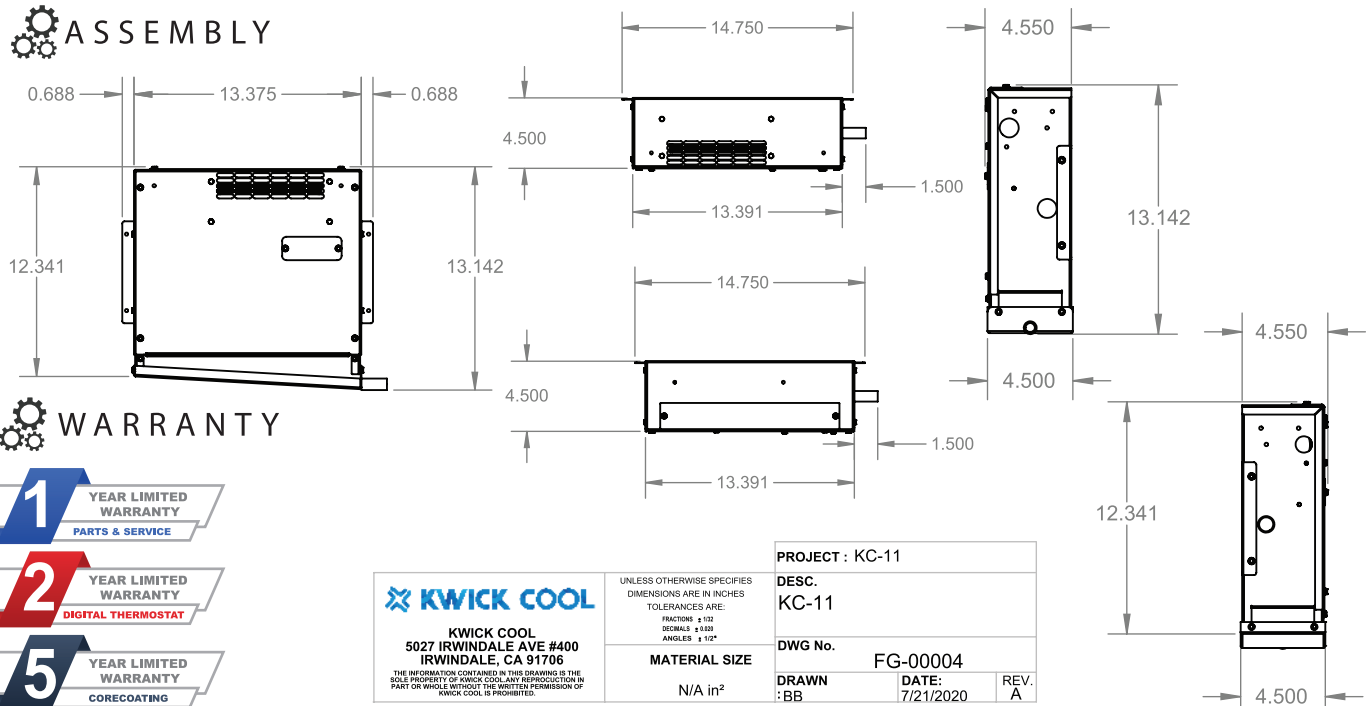


### STANDARD FEATURES

- Core & U-Bends are coated with an epoxy resin to counter corrosion.
- Versatile drain lines left to right & bottom.
- Medium and low temp applications.
- Digital thermostat is made to optimize accuracy and convenience.
- EC motors-splash proof with 60,000 hours of run time.
- 100V or 239V operation.
- Electronic Defrost.
- Discrete vertical or horizontal mount design.
- Inside terminal block for electrical connections.
- Equipped with a safety divider to prevent outside materials from entering.
- Fully tested & injected with Nitrogen to ensure the equality of the product.
- Each product is carefully tested at many stages of production and comes with an extended warranty on the core coating and thermostat.
- Made in the U.S.A.

MODEL	BTU	FIX	SUC	INTE	SUCTION	DRAIN	R-404A	R-22	R-134	R-404ZP	FAN	DEF	VOLT/PH	COIL WT	AMPS	CFM
KC-11	1100	35	25	1/4 O.D	3/8 O.D	1/2 O.D	FBS-1/4-C	FBV-1/4-C	FBJ-1/4-C	FBS-1/4-C	3	2.5	100-230/1	22	0.78	280

### ASSEMBLY



### WARRANTY

- 1** YEAR LIMITED WARRANTY  
PARTS & SERVICE
- 2** YEAR LIMITED WARRANTY  
DIGITAL THERMOSTAT
- 5** YEAR LIMITED WARRANTY  
CORECOATING



**KWICK COOL**  
5027 IRVINDALE AVE #400  
IRVINDALE, CA 91706

THE INFORMATION CONTAINED IN THIS DRAWING IS THE SOLE PROPERTY OF KWICK COOL. ANY REPRODUCTION IN PART OR WHOLE WITHOUT THE WRITTEN PERMISSION OF KWICK COOL IS PROHIBITED.

UNLESS OTHERWISE SPECIFIED  
DIMENSIONS ARE IN INCHES  
TOLERANCES ARE:  
FRACTIONS ± 1/32  
DECIMALS ± 0.001  
ANGLES ± 1/2°

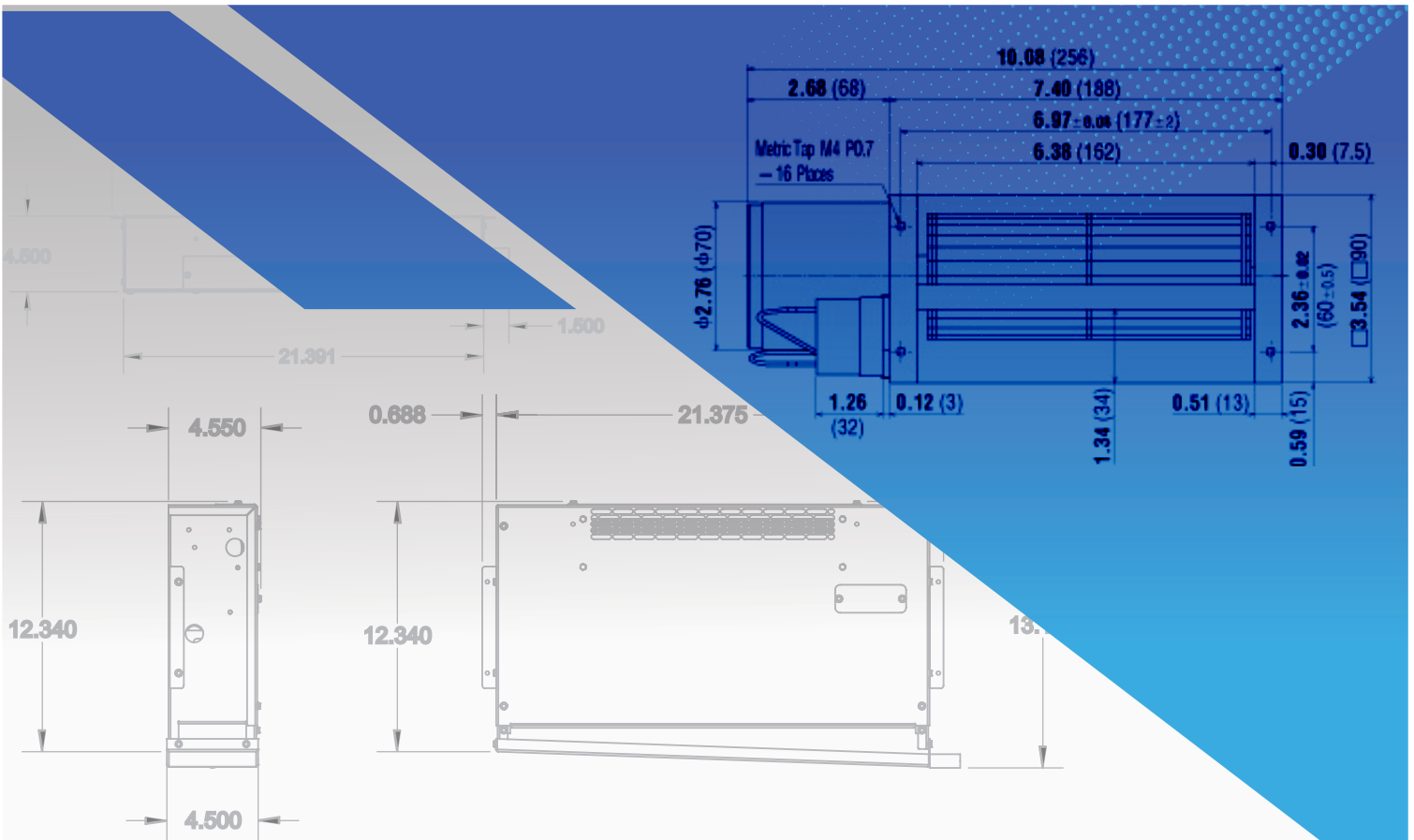
**MATERIAL SIZE**  
N/A in<sup>2</sup>

PROJECT : KC-11

DESC.  
KC-11

DWG No. FG-00004

DRAWN :BB DATE: 7/21/2020 REV. A



 **KWICK COOL**  
QUALITY YOU CAN TRUST



(626) 727 6214  
(626) 644 6254



hector@kwickcool.com  
info@kwickcool.com



1440 Arrow Hwy #D  
Irwindale, Ca. 91706

[www.kwickcool.com](http://www.kwickcool.com)